

12.7mm M2 HBMG QCB Blank Firing System (BFS)



The Blank Firing System consists of a Blank Firing Barrel and Blank Ammunition

Weight of BFS system complete

63 lbs (29 kgs) (including carrying case and tools)

Weight of BFS barrel

26.5 lbs (12 kgs) (including carrying handle)

Overall length of BFS barrel

46" (117 cm)

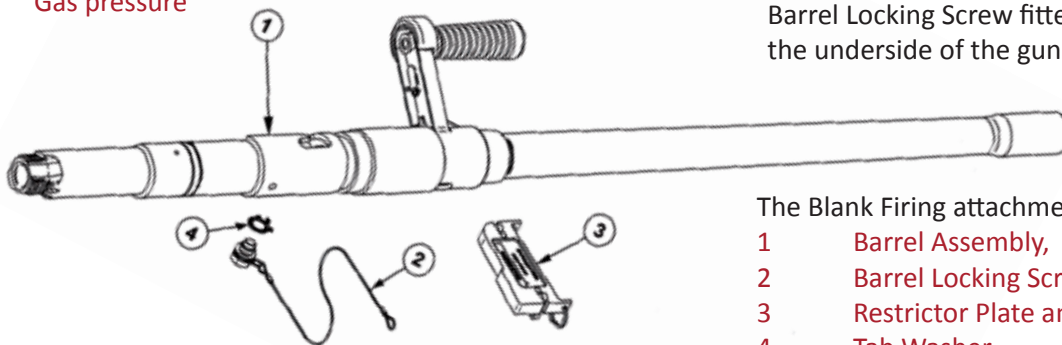
Operation

Gas pressure

The System allows normal functional cycling of the weapon to occur without discharge of solid particles (projectiles) from the barrel muzzle.

Gas from the specially developed brass crimped cartridge is utilised to cycle the action of the gun using a piston contained within the Adaptor Barrel.

The outside profile of the Adaptor Barrel is identical to that of an M2HB QCB live firing barrel and is assembled to the gun in a similar manner. It is retained in the weapon by a Barrel Locking Screw fitted in place of the blanking plug in the underside of the gun barrel support.



The Blank Firing attachment consists of four main components:

- 1 Barrel Assembly,
- 2 Barrel Locking Screw,
- 3 Restrictor Plate and
- 4 Tab Washer

A hard carrying case is provided and contains support brackets for the BFS and foam inserts pocketed for storing the Barrel Locking Screw, Restrictor Plate, spare Tab Washers and simple assembly/disassembly tools